

## 2JCP3642601a

### IRIDIUM Ceramic Thru-Hole Mount

#### Key Features

##### IRIDIUM

- 1616-1627 MHz

Thru-Hole Mount

Ground Plane Dependent

Dimensions 36 x 36 x 4 mm

Please check our Development Kit

**2JDK0126a-A28**



## 1. Antenna and electrical specifications

Parameters	IRIDIUM Ceramic Thru-Hole Mount Antenna
Standards	Iridium
Bands (MHz)	1621
Frequency (MHz)	1616-1627
Return Loss (dB)	~-18.8
VSWR	~1.2:1
Efficiency (%)	~76
Peak Gain (dBi)	~4.5
Average Gain (dB)	~-1.1
Impedance (Ohms)	50
Axial Ratio (dB)	3 max
Radiation Pattern	Hemispherical
Polarization	RHCP

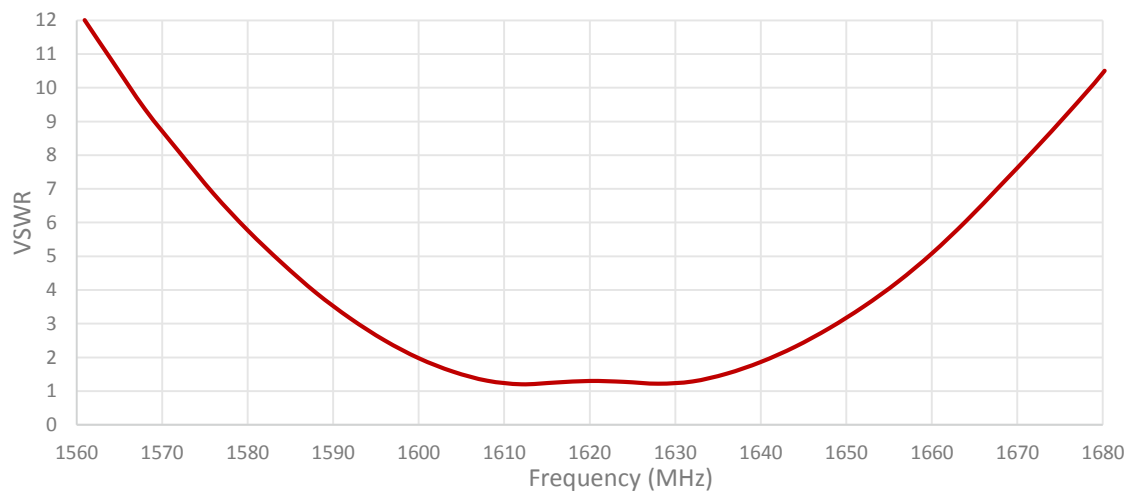
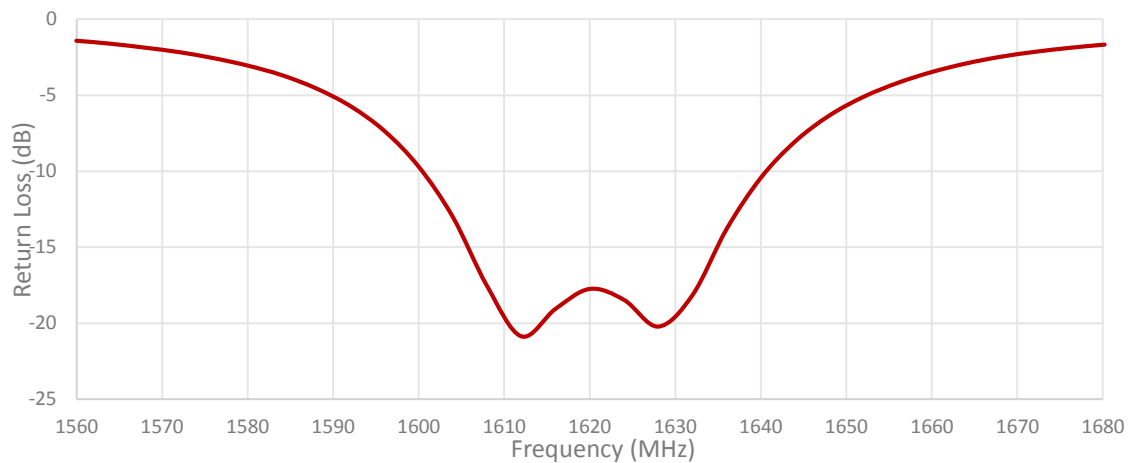
### Antenna Measurement Conditions:

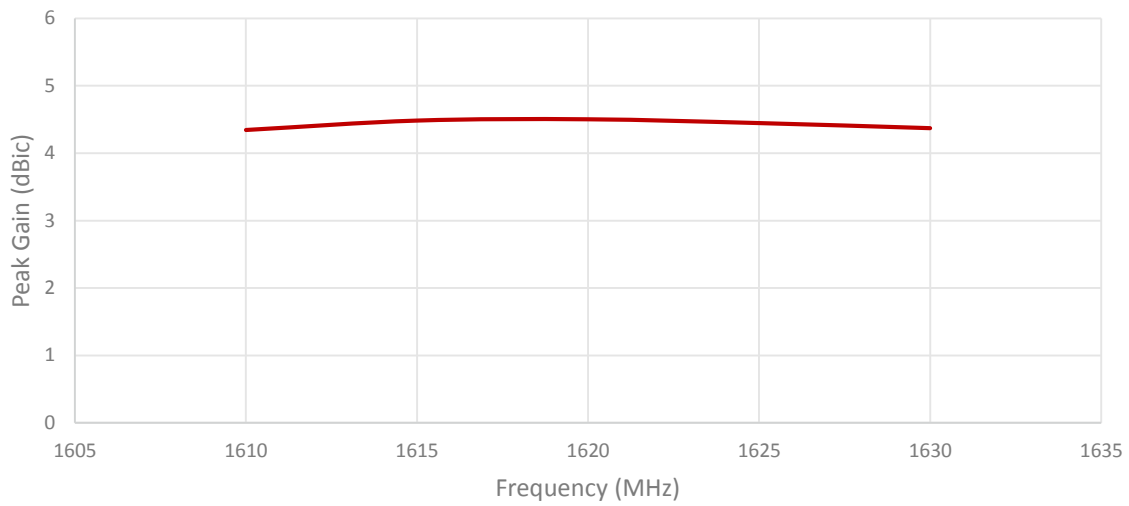
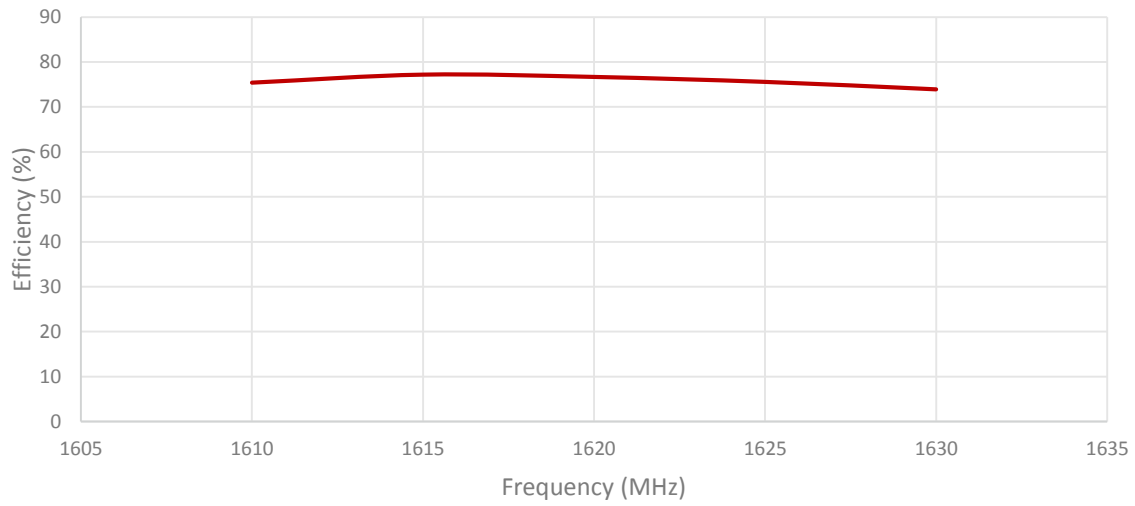
Mounted on Ground Plane of 70 x 70 mm  
 Measured in Certified CTIA 3D Anechoic Chamber

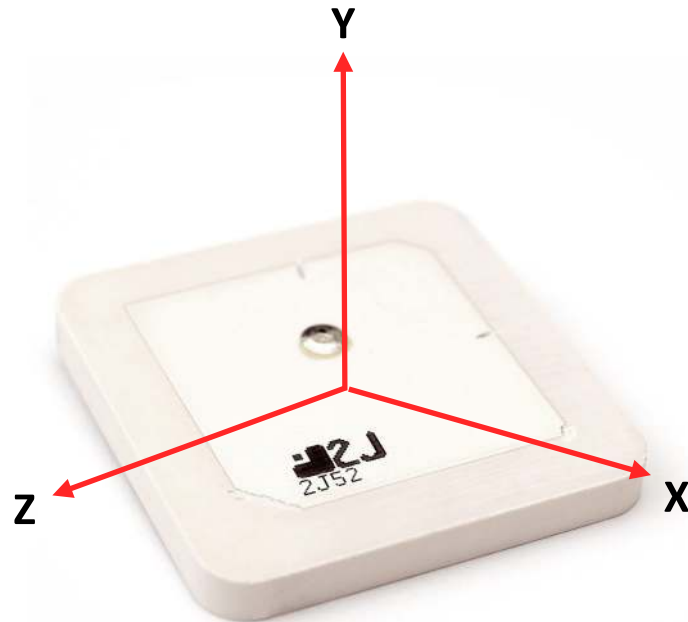
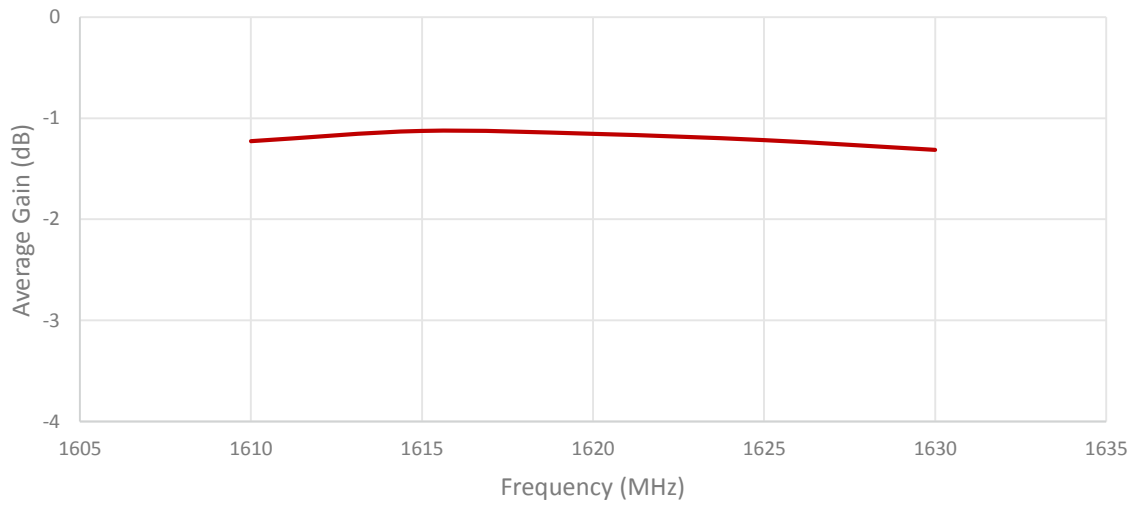
## 2. Mechanical and environmental specifications

Specifications	2JCP3642601a
Mounting Type	Thru-Hole Mount
Adhesive	Nitto 5000NS
Dimensions (mm)	36 x 36 x 4
Operating Temperature (C)	-40 to +85
Storage Temperature (C)	-40 to +85
Substance Compliance	RoHS

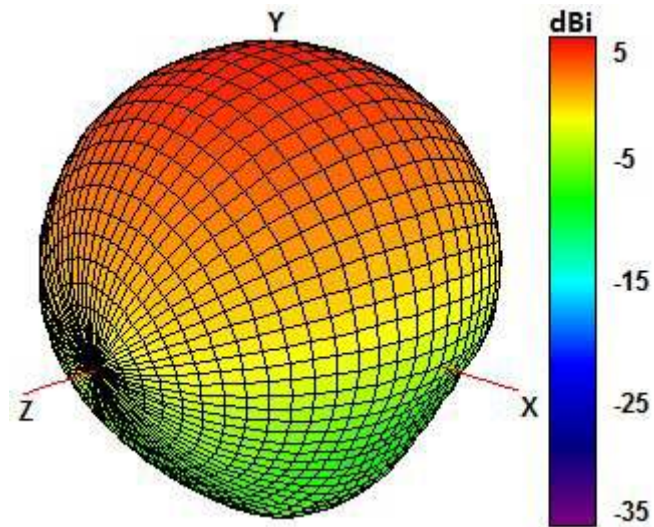
### 3. Antenna parameters





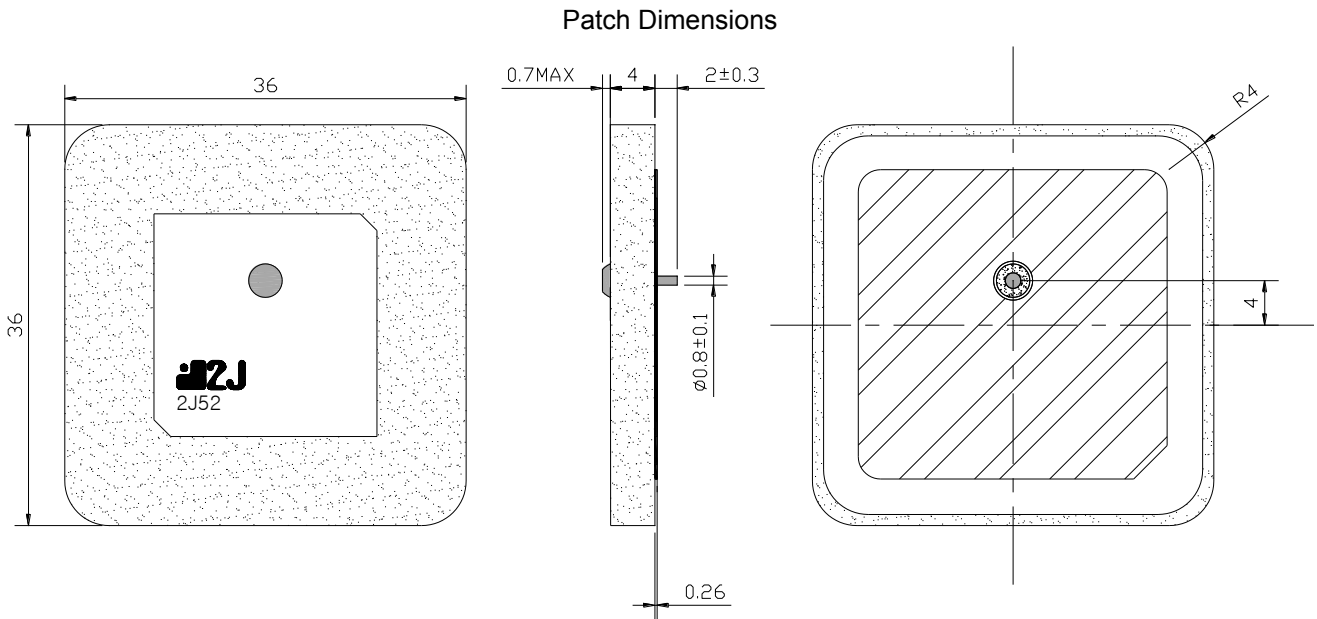


Radiation pattern reference

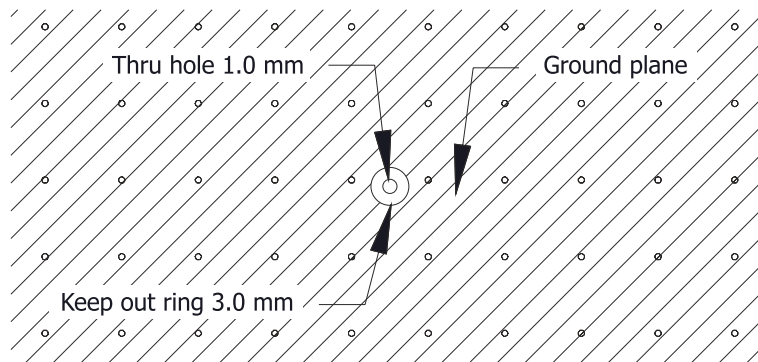


1621 MHz Radiation pattern

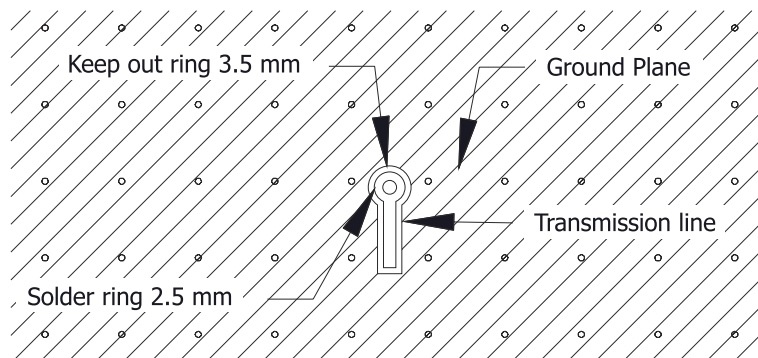
## 4. Antenna drawings



**Layout for top layer**



**Layout for bottom layer**



## 5. Antenna Images

